

UNCERTAINTY MEASURED TOLERANCES - ISO 2768-1 c

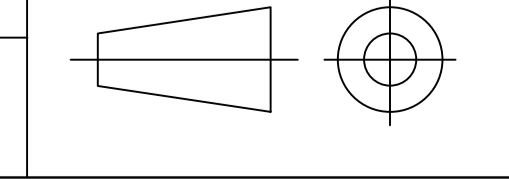
	0,5mm 3mm	3mm 6mm	6mm 30mm	30mm 120mm	120mm 400mm	400mm 1000mm	1000mm 2000mm	2000mm 4000mm
LINEAR	± 0,2	± 0,3	± 0,5	± 0,8	± 1,2	± 2	± 3	± 4

	DATE	NAME	SIGN
DRAWING	25.12.2020	Sefa FALAY	
CONTROL	25.12.2020	Sefa FALAY	
APPROVAL	25.12.2020	Ferda SAĞIR	

REVISION DESCRIPTION	REV. DATE	REV. DRAWN.	NO.

MATERIAL	PROJECT NAME :	PIPE DISTRIBUTION	SCALE
	CEYLAN - MODEL 3	6 PIPES	1/1
	Ø32x1,5 - 500x721mm	PROJECT NO	REV.
			0

CHECKED	APPROVAL



G1/2"

G1/2"

G1/2"

G1/2"

500±2

30

50±2

420

Ø32x1,5

Ø32x1,5

22±1

22

135

135

135

135

135

135

135

22

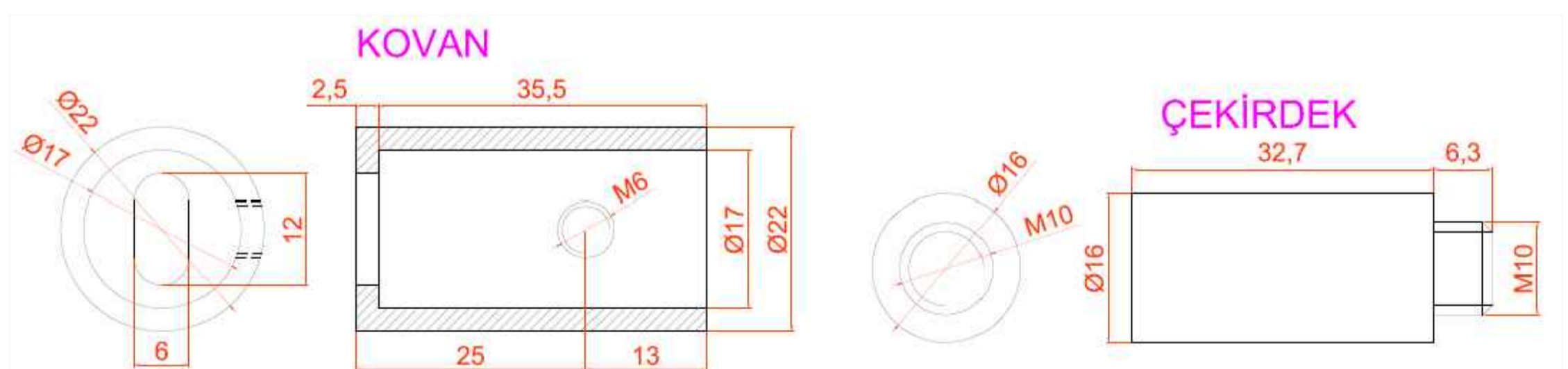
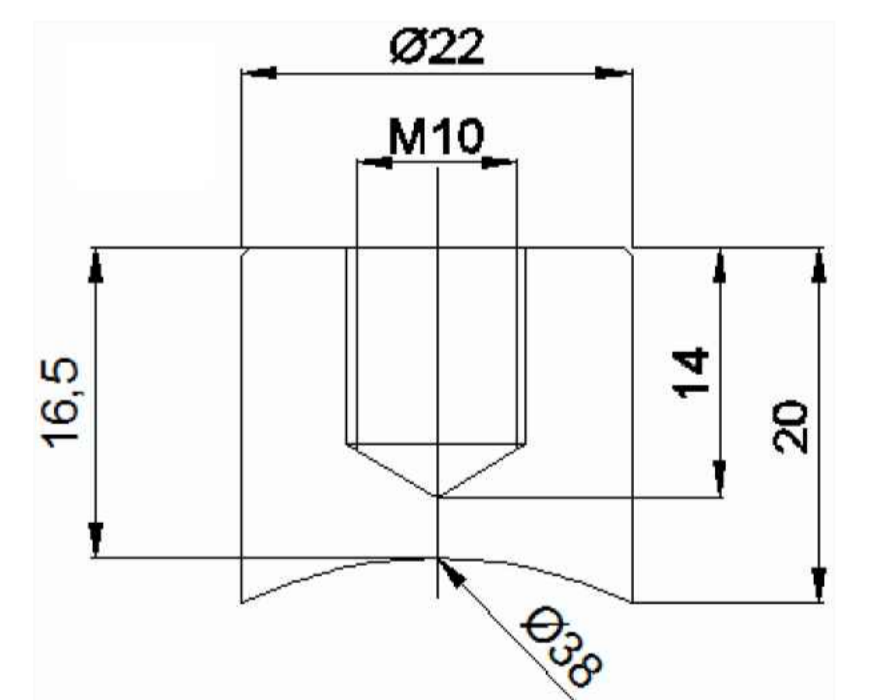
945

989±2

22±1

70-85

117-132



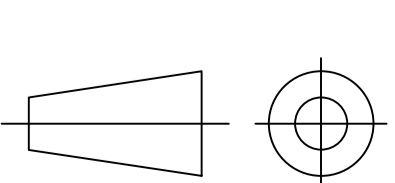
UNCERTAINTY MEASURED TOLERANCES - ISO 2768-1 c

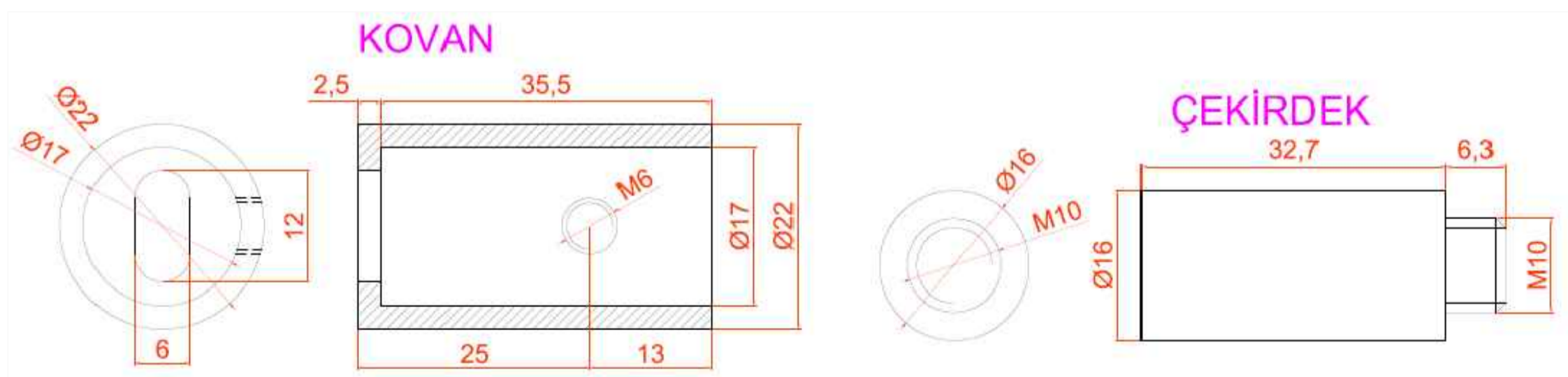
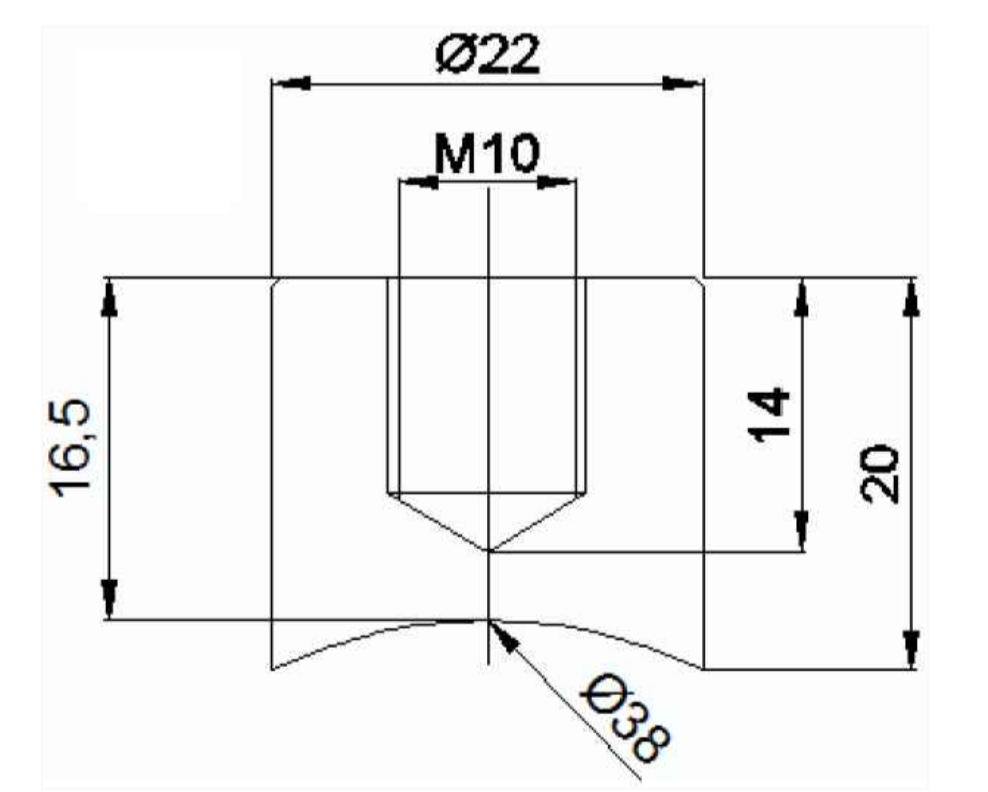
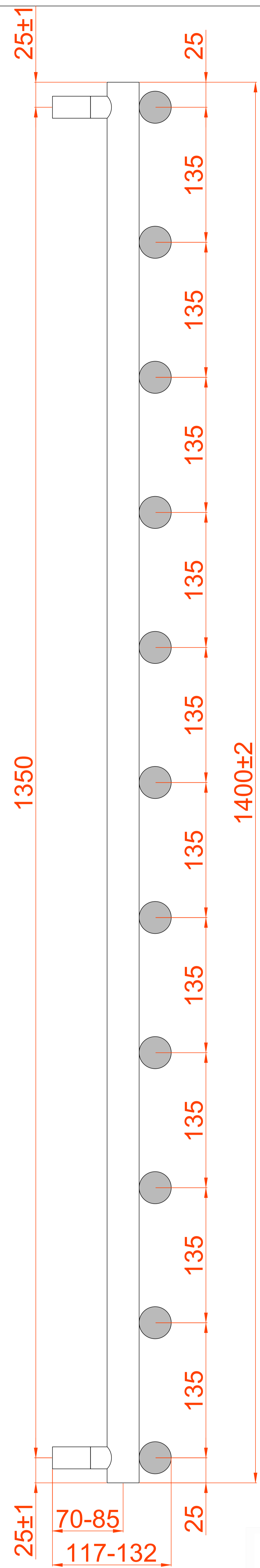
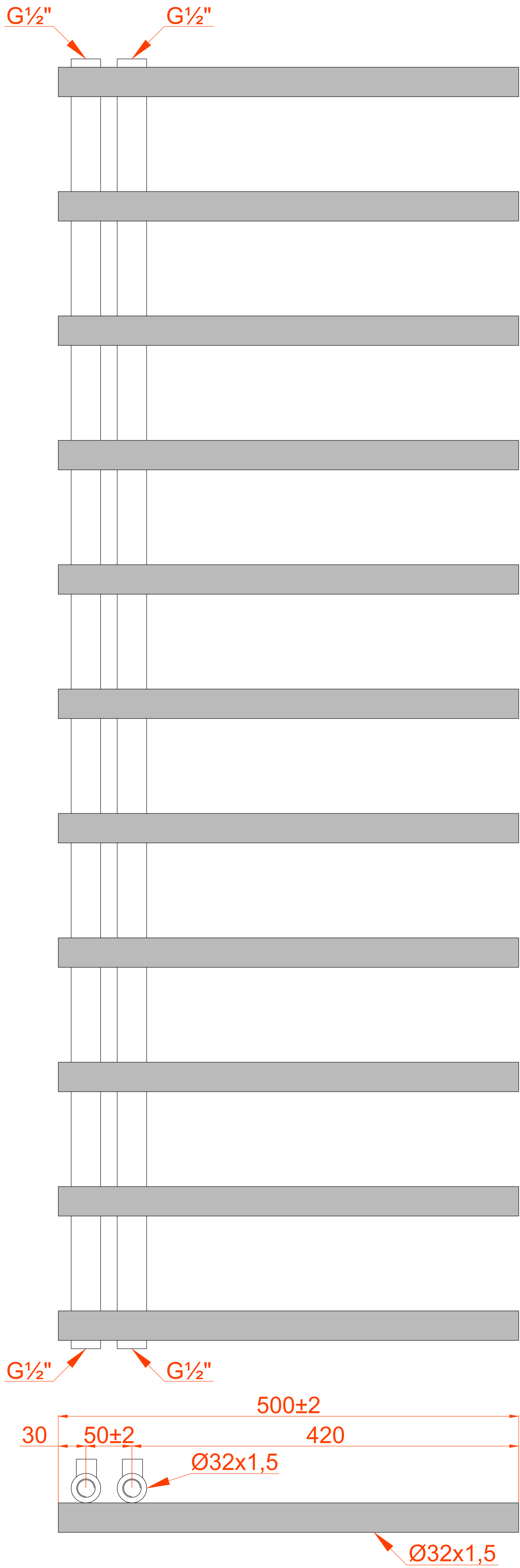
	0,5mm 3mm	3mm 6mm	6mm 30mm	30mm 120mm	120mm 400mm	400mm 1000mm	1000mm 2000mm	2000mm 4000mm
LINEAR	± 0,2	± 0,3	± 0,5	± 0,8	± 1,2	± 2	± 3	± 4

REVISION DESCRIPTION	REV. DATE	REV. DRAWN.	NO.

DRAWING	DATE	NAME	SIGN
	25.12.2020	Sefa FALAY	
	25.12.2020	Sefa FALAY	
	25.12.2020	Ferda SAĞIR	
MATERIAL	PROJECT NAME :		
	CEYLAN - MODEL 3		
	Ø32x1,5 - 500x989mm		
	PIPE DISTRIBUTION		SCALE
	8 PIPES		1/1
	PROJECT NO		REV.
			0

CHECKED APPROVAL





UNCERTAINTY MEASURED TOLERANCES - ISO 2768-1 c

	0,5mm 3mm	3mm 6mm	6mm 30mm	30mm 120mm	120mm 400mm	400mm 1000mm	1000mm 2000mm	2000mm 4000mm
LINEAR	± 0,2	± 0,3	± 0,5	± 0,8	± 1,2	± 2	± 3	± 4

REVISION DESCRIPTION	REV. DATE	REV. DRAWN.	NO.	MATERIAL	PROJECT NAME :	PIPE DISTRIBUTION	SCALE
					CEYLAN - MODEL 3	11 PIPES	1/1
					Ø32x1,5 - 500x1400mm	PROJECT NO	REV.
		CHECKED	APPROVAL				0

DATE	NAME	SIGN
25.12.2020	Sefa FALAY	
25.12.2020	Sefa FALAY	
25.12.2020	Ferda SAĞIR	