

BARCODES	CODES	NAMES	Overall Dimension		Pipe Centres mm	Wall to Pipe cent mm	Wall Distance mm	Tube Quantity	Heat Outputs watts [ΔT=50]	[m2] Rum opvarming 60/40/20
			Height mm	Length mm						
8800161187655	A-CSN180028WS	CASINA WHITE VERTICAL	1800	280	280	34	65	3	1277	11
8800161188065	A-CSN180037WS	CASINA WHITE VERTICAL	1800	375	375	34	65	4	1703	15
8800161200255	A-CSN180047WS	CASINA WHITE VERTICAL	1800	470	470	34	65	5	2128	18
8800161200675	A-CSN180056WS	CASINA WHITE VERTICAL	1800	565	565	34	65	6	2554	22
8800161185675	A-CSN060047WS	CASINA WHITE HORIZONTAL	600	470	470	34	65	5	710	6
8800161186085	A-CSN060066WS	CASINA WHITE HORIZONTAL	600	660	660	34	65	7	994	9
8800161186405	A-CSN060085WS	CASINA WHITE HORIZONTAL	600	850	850	34	65	9	1277	11
8800161186825	A-CSN060104WS	CASINA WHITE HORIZONTAL	600	1040	1040	34	65	11	1561	13
8800161187235	A-CSN060123WS	CASINA WHITE HORIZONTAL	600	1230	1230	34	65	13	1845	16
8800161202105	A-CSN060142WS	CASINA WHITE HORIZONTAL	600	1420	1420	34	65	15	2129	18
8800161187525	A-CSN180028WD	CASINA DOUBLE WHITE VERTICAL	1800	280	280	55	86	6	1967	17
8800161187945	A-CSN180037WD	CASINA DOUBLE WHITE VERTICAL	1800	375	375	55	86	8	2622	23
8800161200125	A-CSN180047WD	CASINA DOUBLE WHITE VERTICAL	1800	470	470	55	86	10	3277	28
8800161200545	A-CSN180056WD	CASINA DOUBLE WHITE VERTICAL	1800	565	565	55	86	12	3933	34
8800161185545	A-CSN060047WD	CASINA DOUBLE WHITE HORIZONTAL	600	470	470	55	86	10	1093	9
8800161185965	A-CSN060066WD	CASINA DOUBLE WHITE HORIZONTAL	600	660	660	55	86	14	1530	13
8800161186375	A-CSN060085WD	CASINA DOUBLE WHITE HORIZONTAL	600	850	850	55	86	18	1967	17
8800161186795	A-CSN060104WD	CASINA DOUBLE WHITE HORIZONTAL	600	1040	1040	55	86	22	2403	21
8800161187105	A-CSN060123WD	CASINA DOUBLE WHITE HORIZONTAL	600	1230	1230	55	86	26	2841	24
8800161202075	A-CSN060142WD	CASINA DOUBLE WHITE HORIZONTAL	600	1420	1420	55	86	30	3278	28
8800161187495	A-CSN180028AS	CASINA ANTHRACITE VERTICAL	1800	280	280	34	65	3	1277	11
8800161187815	A-CSN180037AS	CASINA ANTHRACITE VERTICAL	1800	375	375	34	65	4	1703	15
8800161200095	A-CSN180047AS	CASINA ANTHRACITE VERTICAL	1800	470	470	34	65	5	2128	18
8800161200415	A-CSN180056AS	CASINA ANTHRACITE VERTICAL	1800	565	565	34	65	6	2554	22
8800161185415	A-CSN060047AS	CASINA ANTHRACITE HORIZONTAL	600	470	470	34	65	5	710	6
8800161185835	A-CSN060066AS	CASINA ANTHRACITE HORIZONTAL	600	660	660	34	65	7	994	9
8800161186245	A-CSN060085AS	CASINA ANTHRACITE HORIZONTAL	600	850	850	34	65	9	1277	11
8800161186245	A-CSN060104AS	CASINA ANTHRACITE HORIZONTAL	600	1040	1040	34	65	11	1561	13

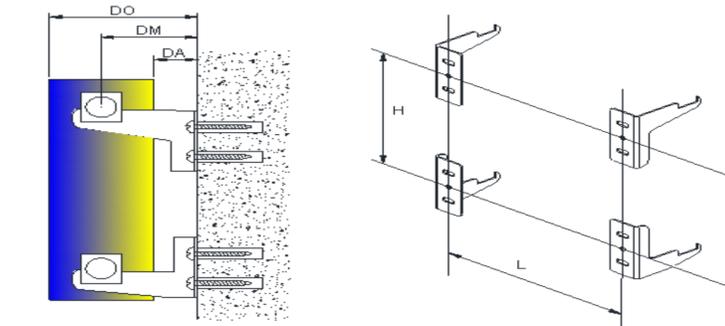
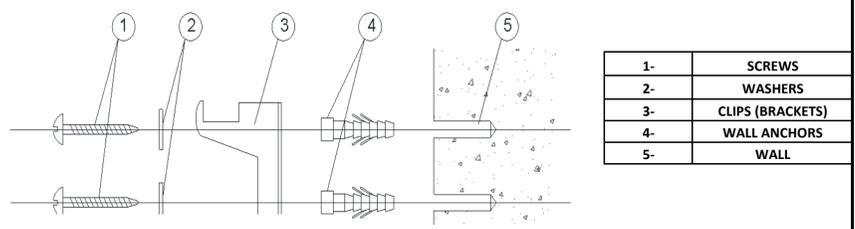
CASINA (SINGLE/DOUBLE) INSTALLATION GUIDE

This product must be fitted only by a fully qualified installer.

DESCRIPTION	DESCRIPTION	ILLUSTRATION
 RADIATOR x 1	Fixing choose the appropriate fixing for the wall material if required PTFE tape Electric drill Masonry drill bit appropriate to the fixings Adjustable spanner Radiator valve hex key	
 TOP - RIGHT CLIPS x 1	 TOP - LEFT CLIPS x 1	Flat head and philips head screw drivers
 BOTTOM - RIGHT CLIPS x 1	 BOTTOM - LEFT CLIPS x 1	1 lock shield valve and 1 gate or thermostatic valve
 END PLUG x 1	 FIXING SCREWS x 4	Spirit level
 WASHERS x 4	 Measuring tape	
 AIR VENT x 1	 WALL ANCHORS x 4	 GASKETS x 4

GENERAL RECOMMENDATION

- Before fitting the radiator it is necessary to wash out the heating system to remove any existing mud, scale, work residues, traces of flux, oil, etc.
- When the system water pH is outside the 5,5-8,5 range and/or when the dissolved is above 0,1mg/liter, it is always needed to protect the heating system components (the radiator is one of these) with a proper chemical treatment compatible with all parts in contact with water (silicon rubber too).
- In order to fit the radiator to the wall, it is necessary to choose the proper fixings for the wall material.
- If the system water exceeds 50°C, please install a warning mark near the radiator to avoid any accidental scalding.
- Clean the radiator surface only with a soft cloth to avoid scratching the finish and do not use chemical agents during cleaning operations. It is prohibited to climb on the radiator.
- Maximum working temperature 95°C, maximum working pressure 4 bar.



NAMES	A	B	C	TUBE QTY	DA	DM	DO	H	L
CASINA (SINGLE)	600	470	545	5	25	34	65	480	247
CASINA (SINGLE)	600	660	545	7	25	34	65	480	247
CASINA (SINGLE)	600	850	545	9	25	34	65	480	437
CASINA (SINGLE)	600	1040	545	11	25	34	65	480	627
CASINA (SINGLE)	600	1230	545	13	25	34	65	480	817
CASINA (SINGLE)	600	1420	545	15	25	34	65	480	1007
CASINA (SINGLE)	1800	280	1745	3	25	34	65	1680	57
CASINA (SINGLE)	1800	375	1745	4	25	34	65	1680	152
CASINA (SINGLE)	1800	470	1745	5	25	34	65	1680	247
CASINA (SINGLE)	1800	565	1745	6	25	34	65	1680	342
CASINA (DOUBLE)	600	470	545	5	25	55	86	480	247
CASINA (DOUBLE)	600	660	545	7	25	55	86	480	247
CASINA (DOUBLE)	600	850	545	9	25	55	86	480	437
CASINA (DOUBLE)	600	1040	545	11	25	55	86	480	627
CASINA (DOUBLE)	600	1230	545	13	25	55	86	480	817
CASINA (DOUBLE)	600	1420	545	15	25	55	86	480	1007
CASINA (DOUBLE)	1800	280	1745	3	25	55	86	1680	57
CASINA (DOUBLE)	1800	375	1745	4	25	55	86	1680	152
CASINA (DOUBLE)	1800	470	1745	5	25	55	86	1680	247
CASINA (DOUBLE)	1800	565	1745	6	25	55	86	1680	342