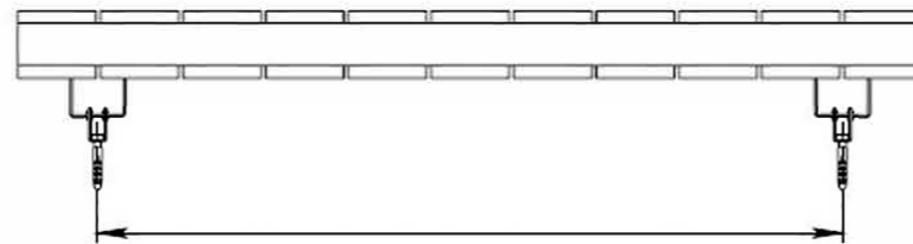
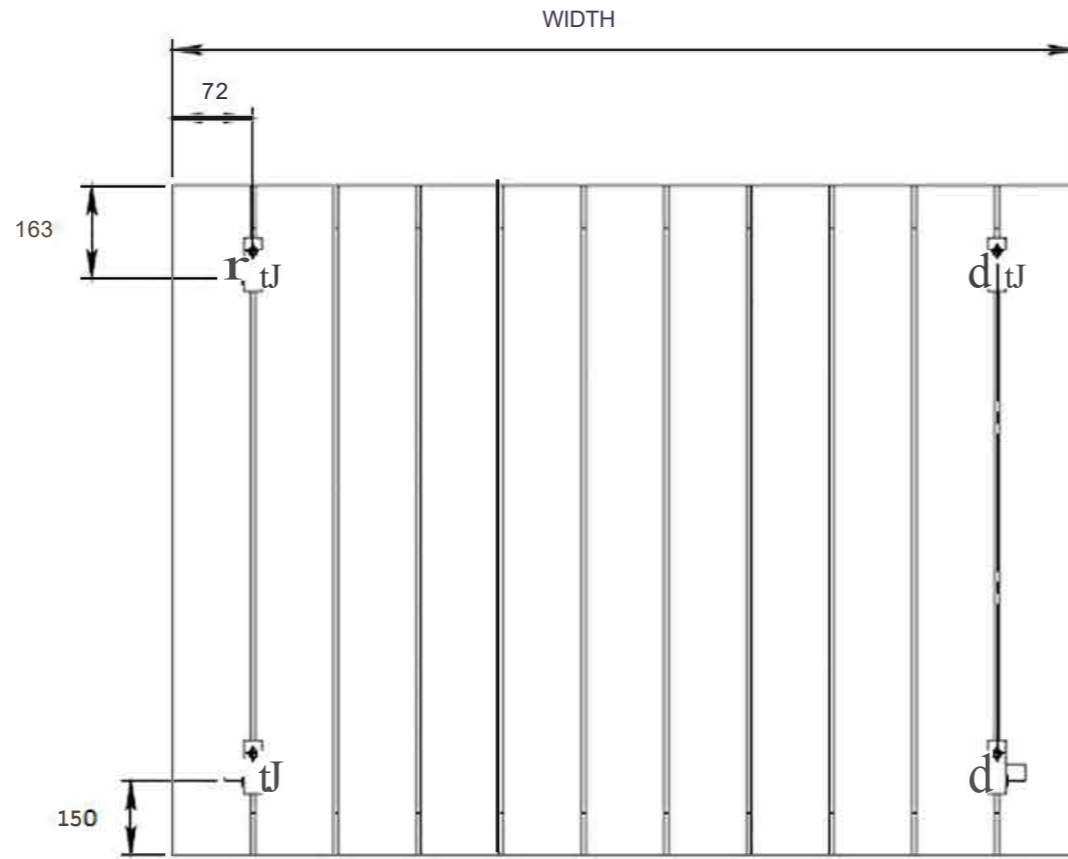
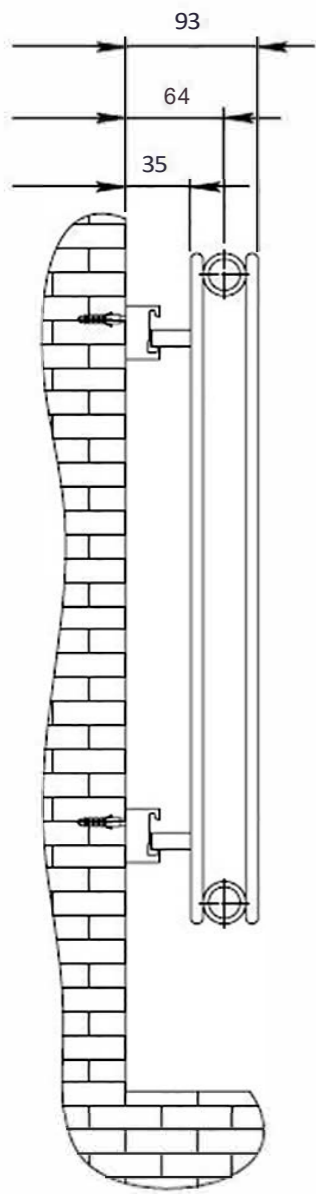


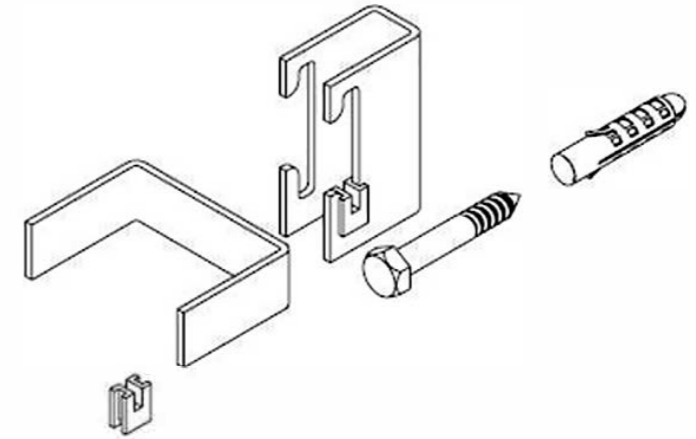
-Max Operational Pressure: 10 Bar
 -InleUOutlet: 1/2" Female Pipe Thread
 -All Dimensions are in mm

Model	Height (mm)	Width (mm)	Weight (kg)	Max. Pressure (Bar)	Material	Color	Connections	Notes
REINA 1000	1000	144	1.5	10	Aluminum	White	1/2" F	
REINA 1200	1200	144	1.8	10	Aluminum	White	1/2" F	
REINA 1400	1400	144	2.1	10	Aluminum	White	1/2" F	
REINA 1600	1600	144	2.4	10	Aluminum	White	1/2" F	
REINA 1800	1800	144	2.7	10	Aluminum	White	1/2" F	
REINA 2000	2000	144	3.0	10	Aluminum	White	1/2" F	
REINA 2200	2200	144	3.3	10	Aluminum	White	1/2" F	
REINA 2400	2400	144	3.6	10	Aluminum	White	1/2" F	
REINA 2600	2600	144	3.9	10	Aluminum	White	1/2" F	
REINA 2800	2800	144	4.2	10	Aluminum	White	1/2" F	





WIDTH · 144



- Max Operational Pressure: 10 Bar
- Inlet/Outlet: 1/2" Female Pipe Thread
- All Dimensions are in mm

ITEM NO.	DESCRIPTION	QTY	UNIT	REMARKS	REVISION	DATE	BY	CHECKED	APPROVED



FLAT DESIGN RADIATORS TECHNICAL DETAILS

PRODUCT CODE	NAMES	Overall Dimension		Pipe Centres mm	Wall to Pipe centre mm	Wall Distance mm	Tube Quantity	Delta T : 50C watts	Delta T : 40C watts	m ² radiator kan opvarme
		Height mm	Length mm							
FLAT WHITE										
RND-FL122W	FLAT SINGLE WHITE	1200	218	50	27	56	3	192	129	2,5
RND-FL123W	FLAT SINGLE WHITE	1200	292	50	27	56	4	256	172	3
RND-FL1236W	FLAT SINGLE WHITE	1200	366	50	27	56	5	320	214	4
RND-FL1244W	FLAT SINGLE WHITE	1200	440	50	27	56	5	350	235	5
RND-FL142W	FLAT SINGLE WHITE	1400	218	50	27	56	3	219	147	3
RND-FL143W	FLAT SINGLE WHITE	1400	292	50	27	56	4	300	201	4
RND-FL1436W	FLAT SINGLE WHITE	1400	366	50	27	56	5	392	263	5
RND-FL163W	FLAT SINGLE WHITE	1600	218	50	27	56	3	477	320	6
RND-FL164W	FLAT SINGLE WHITE	1600	292	50	27	56	4	637	427	9
RND-FL165W	FLAT SINGLE WHITE	1600	366	50	27	56	5	796	533	11
RND-FL166W	FLAT SINGLE WHITE	1600	440	50	27	56	6	955	640	13
RND-FL167W	FLAT SINGLE WHITE	1600	514	50	27	56	7	1115	747	15
RND-FL183W	FLAT SINGLE WHITE	1800	218	50	27	56	3	537	360	7
RND-FL184W	FLAT SINGLE WHITE	1800	292	50	27	56	4	716	480	10
RND-FL185W	FLAT SINGLE WHITE	1800	366	50	27	56	5	895	600	12
RND-FL186W	FLAT SINGLE WHITE	1800	440	50	27	56	6	1074	720	14
RND-FL187W	FLAT SINGLE WHITE	1800	514	50	27	56	7	1254	840	17
RND-FL06W	FLAT SINGLE WHITE	600	440	440	27	56	6	331	222	4
RND-FL08W	FLAT SINGLE WHITE	600	588	588	27	56	8	442	296	6
RND-FL11W	FLAT SINGLE WHITE	600	810	810	27	56	11	608	407	8
RND-FL14W	FLAT SINGLE WHITE	600	1032	1032	27	56	14	773	518	10
RND-FL17W	FLAT SINGLE WHITE	600	1254	1254	27	56	17	939	629	13
RND-FL20W	FLAT SINGLE WHITE	600	1402	1402	27	56	20	1120	750	15
RND-FL23W	FLAT SINGLE WHITE	600	1624	1624	27	56	23	1297	869	17
RND-FL26W	FLAT SINGLE WHITE	600	1772	1772	27	56	26	1380	925	18
RND-FL29W	FLAT SINGLE WHITE	600	1994	1994	27	56	29	1458	977	20
RND-FL122WD	FLAT DOUBLE WHITE	1200	218	50	64	93	6	384	257	5
RND-FL123WD	FLAT DOUBLE WHITE	1200	292	50	64	93	8	512	343	7
RND-FL1236WD	FLAT DOUBLE WHITE	1200	366	50	64	93	10	640	429	9
RND-FL1244W	FLAT DOUBLE WHITE	1200	440	50	64	93	10	750	503	10
RND-FL142W	FLAT DOUBLE WHITE	1400	218	50	64	93	12	438	293	6
RND-FL143W	FLAT DOUBLE WHITE	1400	292	50	64	93	14	600	402	8
RND-FL1436W	FLAT DOUBLE WHITE	1400	366	50	64	93	6	784	525	11
RND-FL163WD	FLAT DOUBLE WHITE	1600	218	50	64	93	6	860	576	12
RND-FL164WD	FLAT DOUBLE WHITE	1600	292	50	64	93	8	1146	768	15

RND-FL165WD	FLAT DOUBLE WHITE	1600	366	50	64	93	10	1432	960	19
RND-FL166WD	FLAT DOUBLE WHITE	1600	440	50	64	93	12	1719	1152	23
RND-FL167WD	FLAT DOUBLE WHITE	1600	514	50	64	93	14	1889	1266	25
RND-FL183WD	FLAT DOUBLE WHITE	1800	218	50	64	93	6	967	648	13
RND-FL184WD	FLAT DOUBLE WHITE	1800	292	50	64	93	8	1289	864	17
RND-FL185WD	FLAT DOUBLE WHITE	1800	366	50	64	93	10	1611	1080	22
RND-FL186WD	FLAT DOUBLE WHITE	1800	440	50	64	93	12	1934	1296	26
RND-FL187WD	FLAT DOUBLE WHITE	1800	514	50	64	93	14	2257	1512	30
RND-FL08WD	FLAT DOUBLE WHITE	400	588	588	64	93	16	501	336	7
RND-FL11WD	FLAT DOUBLE WHITE	400	810	810	64	93	22	644	431	9
RND-FL14WD	FLAT DOUBLE WHITE	400	1032	1032	64	93	28	795	532	11
RND-FL17WD	FLAT DOUBLE WHITE	400	1254	1254	64	93	34	930	623	12
RND-FL20WD	FLAT DOUBLE WHITE	400	1402	1402	64	93	38	1019	683	14
RND-FL23WD	FLAT DOUBLE WHITE	400	1624	1624	64	93	44	1495	1002	20
RND-FL26WD	FLAT DOUBLE WHITE	400	1772	1772	64	93	48	1609	1078	22
RND-FL29WD	FLAT DOUBLE WHITE	400	1994	1994	64	93	52	1779	1192	24
RND-FL32WD	FLAT DOUBLE WHITE	400	2216	2216	64	93	60	1950	1306	26
RND-FL32WD	FLAT DOUBLE WHITE	400	2364	2364	64	93	64	2064	1383	28
RND-FL32WD	FLAT DOUBLE WHITE	400	2438	2438	64	93	66	2122	1421	28
RND-FL32WD	FLAT DOUBLE WHITE	400	2586	2586	64	93	70	2256	1511	30
RND-FL08WD	FLAT DOUBLE WHITE	500	588	588	64	93	16	626	420	8
RND-FL11WD	FLAT DOUBLE WHITE	500	810	810	64	93	22	806	540	11
RND-FL14WD	FLAT DOUBLE WHITE	500	1032	1032	64	93	28	994	666	13
RND-FL17WD	FLAT DOUBLE WHITE	500	1254	1254	64	93	34	1163	779	16
RND-FL20WD	FLAT DOUBLE WHITE	500	1402	1402	64	93	38	1274	854	17
RND-FL22WD	FLAT DOUBLE WHITE	500	1624	1624	64	93	44	1871	1253	25
RND-FL24WD	FLAT DOUBLE WHITE	500	1772	1772	64	93	48	2012	1348	27
RND-FL27WD	FLAT DOUBLE WHITE	500	1994	1994	64	93	52	2225	1491	30
RND-FL30WD	FLAT DOUBLE WHITE	500	2216	2216	64	93	60	2440	1635	33
RND-FL32WD	FLAT DOUBLE WHITE	500	2364	2364	64	93	64	2578	1727	35
RND-FL33WD	FLAT DOUBLE WHITE	500	2438	2438	64	93	66	2652	1777	36
RND-FL35WD	FLAT DOUBLE WHITE	500	2586	2586	64	93	70	2842	1904	38
RND-FL06WD	FLAT DOUBLE WHITE	600	440	440	64	93	12	600	402	8
RND-FL08WD	FLAT DOUBLE WHITE	600	588	588	64	93	16	752	504	10
RND-FL11WD	FLAT DOUBLE WHITE	600	810	810	64	93	22	967	648	13
RND-FL14WD	FLAT DOUBLE WHITE	600	1032	1032	64	93	28	1193	799	16
RND-FL17WD	FLAT DOUBLE WHITE	600	1254	1254	64	93	34	1396	935	19
RND-FL20WD	FLAT DOUBLE WHITE	600	1402	1402	64	93	38	1530	1025	21
RND-FL22WD	FLAT DOUBLE WHITE	600	1624	1624	64	93	44	2245	1504	30
RND-FL24WD	FLAT DOUBLE WHITE	600	1772	1772	64	93	48	2415	1618	32
RND-FL27WD	FLAT DOUBLE WHITE	600	1994	1994	64	93	52	2672	1790	36
RND-FL30WD	FLAT DOUBLE WHITE	600	2216	2116	64	93	60	2928	1961	39

FLAT ANTHRACITE

RND-FL122A	FLAT SINGLE ANTHRACITE	1200	218	50	27	56	3	192	129	2,6
RND-FL123A	FLAT SINGLE ANTHRACITE	1200	292	50	27	56	4	256	172	3
RND-FL1236A	FLAT SINGLE ANTHRACITE	1200	366	50	27	56	5	320	214	4
RND-FL142A	FLAT SINGLE ANTHRACITE	1400	218	50	27	56	3	219	147	3
RND-FL143A	FLAT SINGLE ANTHRACITE	1400	292	50	27	56	4	292	196	4
RND-FL1436A	FLAT SINGLE ANTHRACITE	1400	366	50	27	56	5	366	245	5
RND-FL163A	FLAT SINGLE ANTHRACITE	1600	218	50	27	56	3	477	320	6
RND-FL164A	FLAT SINGLE ANTHRACITE	1600	292	50	27	56	4	637	427	9
RND-FL165A	FLAT SINGLE ANTHRACITE	1600	366	50	27	56	5	796	533	11
RND-FL166A	FLAT SINGLE ANTHRACITE	1600	440	50	27	56	6	955	640	13
RND-FL167A	FLAT SINGLE ANTHRACITE	1600	514	50	27	56	7	1115	747	15
RND-FL183A	FLAT SINGLE ANTHRACITE	1800	218	50	27	56	3	537	360	7
RND-FL184A	FLAT SINGLE ANTHRACITE	1800	292	50	27	56	4	716	480	10
RND-FL185A	FLAT SINGLE ANTHRACITE	1800	366	50	27	56	5	895	600	12
RND-FL186A	FLAT SINGLE ANTHRACITE	1800	440	50	27	56	6	1074	720	14
RND-FL187A	FLAT SINGLE ANTHRACITE	1800	514	50	27	56	7	1254	840	17
RND-FLO6A	FLAT SINGLE ANTHRACITE	600	440	440	27	56	6	331	222	4
RND-FLO8A	FLAT SINGLE ANTHRACITE	600	588	588	27	56	8	442	296	6
RND-FL11A	FLAT SINGLE ANTHRACITE	600	810	810	27	56	10	608	407	8
RND-FL14A	FLAT SINGLE ANTHRACITE	600	1032	1032	27	56	14	773	518	10
RND-FL17A	FLAT SINGLE ANTHRACITE	600	1254	1254	27	56	17	939	629	13
RND-FL122AD	FLAT DOUBLE ANTHRACITE	1200	218	50	64	93	6	384	257	5
RND-FL123AD	FLAT DOUBLE ANTHRACITE	1200	292	50	64	93	8	512	343	7
RND-FL1236AD	FLAT DOUBLE ANTHRACITE	1200	366	50	64	93	10	640	429	9
RND-FL142AD	FLAT DOUBLE ANTHRACITE	1400	218	50	64	93	12	438	293	6
RND-FL143AD	FLAT DOUBLE ANTHRACITE	1400	292	50	64	93	14	600	402	8
RND-FL1436AD	FLAT DOUBLE ANTHRACITE	1400	366	50	64	93	6	784	525	11
RND-FL163AD	FLAT DOUBLE ANTHRACITE	1600	218	50	64	93	6	860	576	12
RND-FL164AD	FLAT DOUBLE ANTHRACITE	1600	292	50	64	93	8	1146	768	15
RND-FL165AD	FLAT DOUBLE ANTHRACITE	1600	366	50	64	93	10	1432	960	19
RND-FL166AD	FLAT DOUBLE ANTHRACITE	1600	440	50	64	93	12	1719	1152	23
RND-FL167AD	FLAT DOUBLE ANTHRACITE	1600	514	50	64	93	14	1889	1266	25
RND-FL183AD	FLAT DOUBLE ANTHRACITE	1800	218	50	64	93	6	967	648	13
RND-FL184AD	FLAT DOUBLE ANTHRACITE	1800	292	50	64	93	8	1289	864	17
RND-FL185AD	FLAT DOUBLE ANTHRACITE	1800	366	50	64	93	10	1611	1080	22
RND-FL186AD	FLAT DOUBLE ANTHRACITE	1800	440	50	64	93	12	1934	1296	26
RND-FL187AD	FLAT DOUBLE ANTHRACITE	1800	514	50	64	93	14	2257	1512	30
RND-FLO6AD	FLAT DOUBLE ANTHRACITE	600	440	440	64	93	12	596	399	8
RND-FLO8AD	FLAT DOUBLE ANTHRACITE	600	588	588	64	93	16	796	533	11
RND-FL11AD	FLAT DOUBLE ANTHRACITE	600	810	810	64	93	20	1094	733	15

RND-FL14AD	FLAT DOUBLE ANTHRACITE	600	1032	1032	64	93	28	1391	932	19
RND-FL17AD	FLAT DOUBLE ANTHRACITE	600	1254	1254	64	93	34	1690	1132	23

FLAT BLACK

RND-FL123B	FLAT SINGLE BLACK	1200	292	50	27	56	4	256	172	3
RND-FL143B	FLAT SINGLE BLACK	1400	292	50	27	56	4	292	196	4
RND-FL163B	FLAT SINGLE BLACK	1600	218	50	27	56	3	477	320	6
RND-FL164B	FLAT SINGLE BLACK	1600	292	50	27	56	4	637	427	9
RND-FL165B	FLAT SINGLE BLACK	1600	366	50	27	56	5	796	533	11
RND-FL166B	FLAT SINGLE BLACK	1600	440	50	27	56	6	955	640	13
RND-FL167B	FLAT SINGLE BLACK	1600	514	50	27	56	7	1115	747	15
RND-FL183B	FLAT SINGLE BLACK	1800	218	50	27	56	3	537	360	7
RND-FL184B	FLAT SINGLE BLACK	1800	292	50	27	56	4	716	480	10
RND-FL185B	FLAT SINGLE BLACK	1800	366	50	27	56	5	895	600	12
RND-FL186B	FLAT SINGLE BLACK	1800	440	50	27	56	6	1074	720	14
RND-FL187B	FLAT SINGLE BLACK	1800	514	50	27	56	7	1254	840	17
RND-FLO6B	FLAT SINGLE BLACK	600	440	440	27	56	6	331	222	4
RND-FLO8B	FLAT SINGLE BLACK	600	588	588	27	56	8	442	296	6
RND-FL11B	FLAT SINGLE BLACK	600	810	810	27	56	10	608	407	8
RND-FL14B	FLAT SINGLE BLACK	600	1032	1032	27	56	14	773	518	10
RND-FL17B	FLAT SINGLE BLACK	600	1254	1254	27	56	17	939	629	13
RND-FL123BD	FLAT DOUBLE BLACK	1200	292	50	64	93	8	512	343	7
RND-FL143BD	FLAT DOUBLE BLACK	1400	292	50	64	93	14	600	402	8
RND-FL163BD	FLAT DOUBLE BLACK	1600	218	50	64	93	6	860	576	12
RND-FL164BD	FLAT DOUBLE BLACK	1600	292	50	64	93	8	1146	768	15
RND-FL165BD	FLAT DOUBLE BLACK	1600	366	50	64	93	10	1432	960	19
RND-FL166BD	FLAT DOUBLE BLACK	1600	440	50	64	93	12	1719	1152	23
RND-FL167BD	FLAT DOUBLE BLACK	1600	514	50	64	93	14	1889	1266	25
RND-FL183BD	FLAT DOUBLE BLACK	1800	218	50	64	93	6	967	648	13
RND-FL184BD	FLAT DOUBLE BLACK	1800	292	50	64	93	8	1289	864	17
RND-FL185BD	FLAT DOUBLE BLACK	1800	366	50	64	93	10	1611	1080	22
RND-FL186BD	FLAT DOUBLE BLACK	1800	440	50	64	93	12	1934	1296	26
RND-FL187BD	FLAT DOUBLE BLACK	1800	514	50	64	93	14	2257	1512	30
RND-FLO6BD	FLAT DOUBLE BLACK	600	440	440	64	93	12	596	399	8
RND-FLO8BD	FLAT DOUBLE BLACK	600	588	588	64	93	16	796	533	11
RND-FL11BD	FLAT DOUBLE BLACK	600	810	810	64	93	20	1094	733	15
RND-FL14BD	FLAT DOUBLE BLACK	600	1032	1032	64	93	28	1391	932	19
RND-FL17BD	FLAT DOUBLE BLACK	600	1254	1254	64	93	34	1690	1132	23